



Peachtree Section

Stars in Georgia

April / May 2023



Graphic by
Doug Geganto



Volume 45 - Vol 2 | April 2023

View Through



The Star

View Through The Star

by Gary Edwards, President

Why I like MBCA and why I like the Peachtree Section

Though a long-time car enthusiast, Mercedes are new to me. I didn't buy my first Mercedes until 2005 and joined MCBA soon after. It seems pretty obvious to me that if you have a special car, you should join the car club for that marque. I have always had special cars and have always been a member of single-marque car clubs. MBCA is the only club, however, where I've gotten involved to the

point of running events and serving in leadership positions. Why is that?

In some clubs, when you show up as a new member, you find yourself standing by

yourself at events, feeling isolated. MBCA isn't like that – what I see is that newcomers are welcomed and helped to feel comfortable with the group. I have found it to be friendly and welcoming and I don't think I'm the only one. That's influenced me to want to play more of a part in the organization. It is always easiest to talk to the folks you know and it takes extra effort to reach out to those you don't know, but I see our people doing just that. It makes me feel good about the organization.

I think Peachtree is unique in that it's maintained a welcoming attitude and a high standard of excellence for a long time. When you start up an organization and immediately put it on the right path, things go well, and the successors just need to make incremental improvements. We are 45 years old this year, and our founder, Jim Partain along with our other founding members who shaped our section, started us on the right track. According to former Peachtree President and long term member Roger McKissock, Jim had exactly that trait, of making new members “feel welcome as MBCA “family” members”. I think we continue that, and we also maintain a high standard, that of doing things well and excellence in events. [Read More](#)

Founder Spotlight: Jim and Sarah Partain



Founder - Jim Partain

by Jane Brown, MBCA Peachtree Member

The Peachtree Section of the MBCA began 45 years ago because of the energy and interest of Jim and Sarah Partain.

“I can't begin to tell you how much fun we had in the first years of Peachtree Section,” Sarah said recently from her home in Blairsville, Georgia. “In the early 1970s, my husband loved to tinker with old, well-built Mercedes cars. People stopped him in

parking lots and at shopping centers, and they talked about cars and kicked tires together.”

Eventually Jim and several other Mercedes owners decided they needed a local chapter of MBCA. “We had our first Peachtree Section organizational meeting in 1979,” Sarah said, “with 60-plus members to start with. Most of them owned older cars, as they knew if bad weather set in, the older cars would get them to work and back home again.”

Both Sarah and Jim took part in making Peachtree Section a reality. “At that time I was a legal secretary, and my boss did the paperwork for us to apply to MBCA,” Sarah said. “Jim knew all the Mercedes dealers and mechanics in the area, and he insisted that we include all of them in the club.” Among those is Sports and Imports, an auto body shop that was begun in 1981 by Peachtree Section member Gene Hamilton and is now owned by his daughter, Michelle Coombs. Gene Hamilton was Jim Partain’s brother-in-law. “I was just a little tyke,” Michelle said, “and I remember doing the fall rides with Peachtree Section and seeing Uncle Jim and Aunt Sarah.” [Read More](#)




Why go anywhere else?

TECHNICIANS
YOU CAN TRUST,
AT A PRICE THAT
WON'T BREAK
THE BANK

@mymercedesplace.com
www.mymercedesplace.com

Mercedes-Benz, BMW, Smart Car and Mini Cooper repair shop.

4345 GA Hwy 400
Cumming, GA 30028
770-205-4011



The Event Rundown

April

4/2 - [Cars and Coffee at Halcyon](#)

4/2 - [Karting at Lake Lanier](#)

4/19 - [Tensioner Replacement Tech Session](#)

4/27 - 4/30 [Choo Choo Spring Fling Weekend](#)

4/30 - [PCA Autocross](#)

June

6/3 - [Cars and Coffee at Halcyon - Bruno Sacco Car Show](#)

6/4 - [Karting at Lake Lanier](#)

6/24 - [Fried Green Tomatoes Rally](#)

6/25 - [PCA Autocross](#)

July

May

5/6 - [Cars and Coffee at Halcyon](#)

5/13 - Mountain Drive - *watch for details*

5/20 - [Augusta Cars and Coffee](#)

5/26 - 5/28 - [Sandhills Motoring Festival](#)

5/28 - [PCA Autocross](#)

5/31 - [HPDE Watkins Glenn NY](#)

7/1 - [Cars and Coffee at Halcyon](#)

7/29 - [Member Appreciation](#)

FULL EVENT SCHEDULE 2023

MEMBERSHIP

Welcome our Newest Members

- Jonathan Atwater
- Robert Barrow
- Peter Chase
- Hoza Chavis
- Graeme Dorkings
- Michael Fucito
- Jorge Padmore
- Tejus Patel
- Claude Roy
- Alan Sinram
- Susan Sinram
- Eric Thomasson
- Kacy White



Peachtree
Section

by Reijo Haarla, Membership Director

Peachtree Section has 497 members at the end of February 2023. I want to remind you about the member [Auto-Renew program](#). To enroll to the Auto-Renew is easy, you can simply select Yes to Auto-Renew option when renewing your membership on-line at mbca.org. Or, you can contact the MBCA National Business Office at 800-637-2360 and enroll to the Auto-Renew over the phone.

Advantages of the Auto-Renew:

- Never miss an issue of the Star® Magazine.
- Stay informed of local section and national events.
- Continue your eligibility for club

Thanks to our Renewing Members

- Michael Balk
- Armand Balsano
- Shiv Bhupathi
- Brett Butler
- Nick Catania
- Steve Chapman
- David Cohen
- N Cohen
- Dr Bob Crow
- George Cunningham
- John Curtin

- Hans Ehrnrooth
- Paul Finegan
- A Fishman
- Daniel Gallagher
- Dale Gawley
- Jean-Marie Girardot
- Marion Glover
- Thomas Harrell
- Julie Ilhardt
- Mel Levine
- Joe Martin
- Tom McDonough
- Kishor Patel
- Laura Peters
- Peter Pick
- Luis Reyes
- Jose Rodriguez
- Daniel Shedlowski
- Munjal Shroff
- Robert Slayden
- David Tatum
- Logan Trembley
- Gerald Troff
- Keith Waldrop
- Geri Whaley-Ewers
- Pierce Williams
- Robert Wilson

- Discounts and Membership Rebates.
- Have a chance to participate on our annual Germany trip to visit Mercedes-Benz headquarters in Stuttgart, when again available.
- Have a chance at winning a new Mercedes-Benz by participating in annual raffles
- Never worry about your membership lapsing. You support the financial stability of your club.

One of the MBCA membership programs is a [Refer a Friend Program](#). – Refer a friend to join the Mercedes-Benz Club of America and get one additional month of the Club membership **FREE**, for every friend who joins.

As a member, you will receive Peachtree Section’s newsletter “Stars in Georgia”, accompanied by The Star magazine. Please visit our webpage www.mbcapeachtree.org where you will find copies of recent newsletters, a complete calendar of scheduled events, contact information of our section officers and directors, and much more.

RENEW YOUR MEMBERSHIP

**BUD'S...
CAN DO IT ALL**
PARTS • SERVICE • RESTORATION

BudsBenz.com
770-942-8444
Mon-Fri 8am-5pm est
7773 W. Strickland St.
Douglasville, GA 30134
**ORDER FROM OUR
NEW ONLINE CATALOGS!**

BUD'S Shop online eJay

UPCOMING EVENTS

CARS & COFFEE

HALCYON

Cars and Coffee at Halcyon Continues in 2023

Join us for our monthly Cars & Coffee sponsored by RBM's Mercedes-Benz Experience at Halcyon. Please arrive by 9:30 am, we'll begin at approximately 10 a.m. when everyone has finished prepping their cars. The **Fuel** coffee shop is ready to serve up a hot cup of coffee to enjoy while chatting with fellow members.

This year some months will have a theme to them. Here is our upcoming dates:

4/2 - [Cars and Coffee at Halcyon - R107/R129](#)

5/6 - [Cars and Coffee at Halcyon](#)

6/3 - [Cars and Coffee at Halcyon](#) - Bruno Sacco Car Show (See article below)

7/1 - [Cars and Coffee at Halcyon](#)



The Mercedes-Benz Experience at HALCYON-FORSYTH

Conveniently located at McFarland Parkway and GA 400.



Mercedes-Benz
Experience
by RBM of Alpharetta

All in-store merchandise

10% off

Excludes vehicles. Must show
this ad to redeem offer.
Expires 12/31/2022

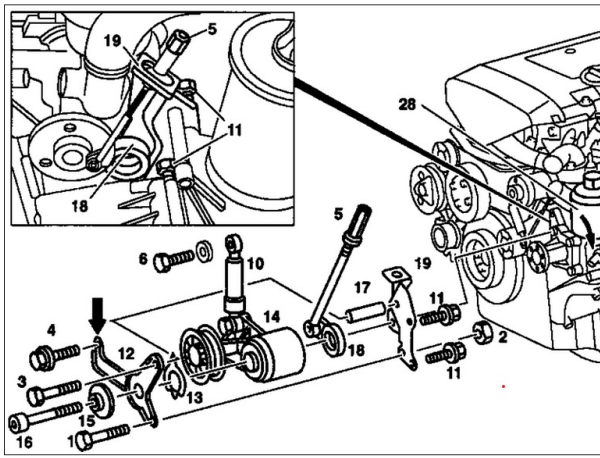
6345 Halcyon Way, Suite 835 | Alpharetta, GA 30005 | 678-726-6726

[Tensioner Replacement Tech Session - 4/19](#)

[PCA Autocross - 4/30](#)

Gary Edwards, Event Planner

Gary Edwards, Event Planner



Join us for a Tech Talk ZOOM video-conference on Wednesday, April 19th at 7:00 PM (EDT) when Peachtree President Gary Edwards will present "**Mercedes Serpentine Belt Tensioner Replacement.**"

Gary will cover the replacement of the "version one with external damper" serpentine belt tensioner he recently did on his 1992 300CE-24. This tensioner, with a threaded adjusting rod and nut, is also used on the early W129 300SLs and is essentially the same as those used on the subsequent M104, the M103 and the early M119 engines.

[REGISTER](#)

For those of us not going to the Spring Fling weekend event in Chattanooga, the first PCA autocross of the year is on April 30th at the huge parking lot at Atlanta Motor Speedway. Great fun, a great way to become a better driver and to learn your car's medium speed performance limits in a safe environment.

Register now, don't doddle; they tend to fill up quickly. The dates for the rest of the year: May 28, June 25, July 23, August 13, September 24, October 8 and November 5.

These are well run, safe events that typically give you 10 runs – much better than most autocrosses, time to actually learn the course and experiment. You should plan to bring a helmet, though they do tend to have some loaner helmets available.

[REGISTER](#)

PermaFinish

EXCLUSIVE CHEMICAL PROCESS FORMULA XV9

No Waxing Guaranteed
For six years!

What is PermaFinish?

Permafinish is a one-time treatment that protects an automobile's finish for a guaranteed six years, completely eliminating the need for waxing!

Restore & Protect your investment against:

Acid Rain • Stone Chips • Scratches
Tree Sap • Bird Droppings • Aging Paint



2558 MOUNTAIN IND. BLVD | TUCKER, GA 30084 | 678.382.1000 | WWW.PERMAFINISH.COM

CHOO-CHOO SPRING FLING WEEKEND

APRIL 27-30, 2023

Chattanooga, Tennessee



This is going to be a truly fun weekend with a variety of different activities for participants to choose from.

If you are planning on attending and haven't yet reserved your rooms at the Marriott Courtyard please **don't delay**. Our block of fifteen rooms guarantees a rate of \$169.00, that rate is good until April 4th. After that the rate goes up to \$309.00 on Friday and \$319.00 on Saturday. If we exceed our room guarantee **before April 4th** the hotel will guarantee the negotiated rate of \$169 until the 4th. Reserve your room here: [Book your group rate for Mercedes Benz Club of America-Peachtree Section](#)

CLICK THE REGISTER BUTTON FOR ALL THE DETAILS AND THE WEEKEND ITINERARY OF FUN!

REGISTER FOR CHOO-CHOO
WEEKEND

Nothing says Mercedes-Benz
more than
Buckhead.

Mercedes-Benz
of Buckhead



MercedesOfBuckhead.com
(800) 399-5856

BRUNO SACCO
In-person and Virtual CAR SHOW
Cars and Coffee at Halcyon
June 3, 2023

Bruno Sacco



Mark Your Calendar

**The Bruno Sacco Car Show will be here sooner than you think!
June 3rd 2023**

Sam Kamber, Concours Chair

The largest collection of “**Bruno Sacco**” vehicles will be on display at Halcyon in Alpharetta GA on the 3rd of June. In addition to the Live Show we are for the first time hosting a Virtual Car Show for those not displaying their cars at the Live Show at [Halcyon](#) in Alpharetta, GA.

This is a charity event with the recipient being [Bert's Big Adventure](#) which is a 501(c)(3) nonprofit organization that provides a magical, all-expenses-paid, five-day journey to Walt Disney World[®] for children with chronic and terminal illnesses and their families.

We are anticipating a large field of entries so to avoid disappointment please register early, the fee is only \$40 per vehicle, all proceeds will be donated to Bert's Big Adventure. Mercedes-Benz Vehicles manufactured from 1976 through 2006 could be eligible. See list of Bruno Sacco car models and years below.

Do you have one of these cars? All Bruno Sacco designed cars are welcome to participate. For those who cannot physically be at Halcyon on June 3rd, please enter your car into the Virtual Car Show. All entered car are eligible for People's Choice selected prizes (Live and Virtual). **Please enter your car!**

BRUNO SACCO VEHICLES

C215 - CL	Class : 1998 - 2006
W124 - E	Class : 1985 - 1996
R129 - SL	Class : 1989 - 2001
R170 - SLK	Class : 1996 - 2004
R230 - SI	Class : 2002 - 2006
W123 - E	Class : 1976 - 1985
W126 - S	Class : 1979 - 1991
W140 - S	Class : 1991 - 1998
W163 - ML	Class : 2001 - 2005
W201 - 190	Class : 1982 - 1993
W202 - C	Class : 1993 - 2000
W208 - CLK	Class : 1997 - 2003
W210 - C	Class : 1995 - 2003
W220 - S	Class : 1998 - 2005

[REGISTER](#)

SPECIAL TIRE & WHEEL PRICING
FOR CLUB MEMBERS
HI-SPEED ON-THE-CAR BALANCING
FOUR-WHEEL ALIGNMENT
NITROGEN TIRE INFLATION

MARIETTA - 770.973.8622

AUSTELL - 770.941.7422

BUCKHEAD - 404.303.1114

ALPHARETTA - 678.893.0502

PERFORMANCE ACCESSORIES BY:
BRABUS **AMG**
AUTHORIZED *Lorinser*® DEALER

WORLD CLASS PERFORMANCE TIRES BY:
MICHELIN **PIRELLI**
KUMHO **TOYO** **NGN**



BUTLER
TIRES & WHEELS

butlertire.com



[Cars and Coffee at Mercedes-Benz of Augusta - May 20](#)

[High Performance Driving \(HPDE\) - May 31 at Watkins Glenn](#)



Gary Edwards, Event Planner

We return to Mercedes-Benz of Augusta for Cars and Coffee on Saturday May 20th. Last year's participants will tell stories of a huge amount of wonderful food from Reinhardt's Restaurant. Don't miss this event – it's worth the drive!

[REGISTER](#)



Gary Edwards, Event Planner

We had great fun at Atlanta Motorsports Park (AMP) for High Performance Driver Education on February 18th with PCA. Future events are at Watkins Glen on **May 31st** and on August 28th (with the Lotus Club) probably at AMP; at Road Atlanta (with PCA) on September 29 through October 1st.

Watkins Glen is a wonderful iconic American track and though a long ways away, it's worth the trip! Going to these PCA events and partnering with the Lotus Club allows us to get to tracks we otherwise wouldn't be able to afford.

[REGISTER WATKINS GLENN](#)

Fried Green Tomato's Rally
- June 24



Doug Geganto, Event Planner

Member Appreciation - July 29



Sweetwater Creek State Park Mill Ruins

Get your navigator and take a leisurely drive along the backcountry roads of Middle Georgia. Our journey will begin at the original Chick-Fil-A Dwarf House in Hapeville.

We will have lunch in Juliette, GA at the famous Whistle Stop Café made famous from the movie, Fried Green Tomatoes.

This will be a pure driving fun driving event, no tricky questions and not a timed event.

[REGISTER](#)

Jane Brown and Thomas Lammert,
Event Planners

Members and guests of Peachtree Section are invited to the free Southern barbecue buffet at the group shelter in Sweetwater Creek State Park. The group shelter is a fully enclosed, air-conditioned building and includes kitchen facilities, private restrooms, a playground.

The free buffet includes barbecued pork and chicken, accompanied by several salads, molasses baked beans, walnut brownies, and beverages. All the food – except buns and pickles – will be homemade. The buffet will open at 12:30 p.m.

[REGISTER](#)



IT'S **ALL** ABOUT THE SERVICE.

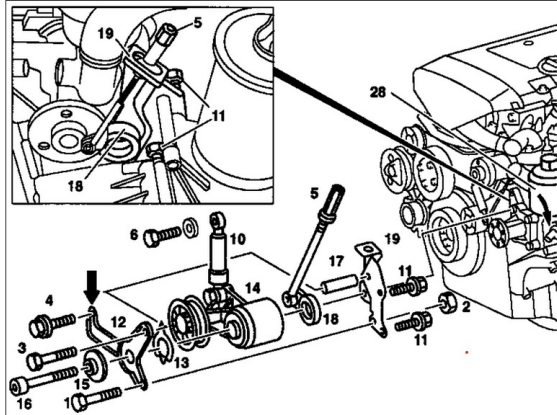
GCR
GERMAN CAR REPAIR

6070 ATLANTA HIGHWAY
ALPHARETTA, GA 30004
770-649-8700
GERMANCARREPAIR.COM

TECHNICAL DIGEST

Serpentine Belt Tensioner Replacement

by Gary Edwards



1 with external damper” (from WSM 13-3200 Removing and Installing Tensioning Device). It was used through around 1994 on many engines including the M103, M104 and M119. My problem was a belt squeal that I couldn’t make go away even with a tensioner adjustment, complicated by a missing pointer which is supposed to help you set the correct tension. I drove all the way home from Ft. Lauderdale with almost no belt tension, and it’s amazing that the car kept going. [Read more](#)

HEADLINER REPLACEMENT

by MBCA Peachtree Member Brooks Metzler

Did you miss Brooks' Technical talk on how you can DIY the replacement of your Mercedes-Benz headliner? Watch the recording of this very informative Tech Talk!



Peachtree Section

HEADLINER REPLACEMENT



DC MotorWerks

The Enthusiasts' Service Center



640 James Road
Alpharetta, GA 30004
678-631-9028
Admin@DCMotorWerks.com



Dealer trained. Over 35 years of experience. No flat rate. Enthusiasts first.
We are the difference in providing the best service to you and your vehicle.



Welcome Club Members! We are offering complimentary inspections with **10% off** of your first visit and **10% off** all subsequent visits.



POST-EVENTS

Peachtree Celebrates 45 Years!

MBCA Executive Director, Katie Carruth letter to Peachtree Members

On behalf of the entire Mercedes-Benz Club of America organization, I extend hearty congratulations to the Peachtree Section for completing 45 glorious years of success. You have always been on the top of the list for serving the Mercedes-Benz enthusiast community with wonderful events, opportunities to connect, and genuine fun!

Sections like yours with a brilliant team of friendly and dedicated volunteers who aim for high results, achieve them.

With your commitment and sincerity, the larger community has also gained much; you have kept an eye on philanthropic service and made member satisfaction your priority. I believe this is why the Peachtree Section has remained vibrant and continues to grow. Not only do you provide a learning platform for new members, but also offer a real community and home for their passion for the Mercedes-Benz to thrive.

We wish you all the success for many more years to come.

And we are so proud you're part of the MBCA Family!

Congratulations!

Congratulations to our two 2022 Section Award Winners!



Will Coloma
Member of the Year 2022



Ruben Howard
Jim Partain Award Winner

5x Honoree

RBM of Atlanta is a 2022 J.D. Power "Dealer of Excellence"



Thank you to all our loyal customers and employees. These distinctions are all because of you! We are extremely grateful.



RBM of Atlanta - Atlanta's Mercedes-Benz Connection since 1964!

Take 10% off your next repair or parts and accessories purchase at RBM of Atlanta - Sandy Springs

Excludes specials, tires, and certain menu items. Offer good thru 8/31/2023 on one service visit per member. Discount available to Club Members only & you must show Club ID at time of use.



7200 Roswell Road + 7640 Roswell Road | 770-390-0700 | www.RBMofAtlanta.com

MERCEDES-BENZ NEWS



Mercedes-AMG Motorsport Customer Racing Teams and Drivers Sweep Opening Weekend of GT America

March 6, 2023

Debuting Mercedes-AMG GT3 drivers Memo Gidley and Jason Daskalos combined to give Mercedes-AMG Motorsport Customer Racing teams and drivers a sweep of the GT America powered by AWS season-opening doubleheader this weekend at the Grand Prix of St. Petersburg. Daskalos scored a last-to-first victory in the No. 27 CP Racing Mercedes-AMG GT3 to win Friday's first race while Gidley won Saturday's second and final race in the No. 101 TKO Motorsports/Flying Lizard Mercedes-AMG GT3. The solid weekend of Mercedes-AMG Motorsport Customer Racing competition at St. Petersburg also saw Scott Smithson win the pole in Friday's qualifying session in the No. 08 DXDT Racing Mercedes-AMG GT3.. [Read More](#)

SOCIAL MEDIA

Social Media

by Rubin Howard, Social Media Director

If you haven't already, Join our Facebook group [MBCAPeachtree](#) . Keep up to date with the latest events, chat with members, and make the most of your membership with our Facebook group. As well, follow us on Instagram [@MBCAPeachtree](#). Our Youtube Channel [MBCA Peachtube](#) is full of



Peachtree
Section

excellent resources for club members. We feature videos such as technical sessions, concours judging schools, Rally schools, as well as features from events.

Facebook Group link:

<https://www.facebook.com/groups/mbcapeachtree>

Instagram link <https://www.instagram.com/mbcapeachtree/following/>

MBCA PeachTube link: [MBCA Peach Tube](#)

Peachtree Section Officers

Peachtree Section, MBCA Officers and Board of Directors and Leadership Support Members

Gary Edwards

president@mbcapeachtree.com

Rubin Howard

vicepresident@mbcapeachtree.com

Rusty Duncan

secretary@mbcapeachtree.com

Jim Fekete

treasurer@mbcapeachtree.com

Directors

directors@mbcapeachtree.com

Brett Butler
Sam Kamber
Dean Prince
Joseph Ruda Jr.

Past presidents

Joe Martin
Ernie Smallman
JoAnne Taylor

Committees

Reijo Haarla - Membership
membership@mbcapeachtree.com
Diana Quinn - Newsletter
newsletter@mbcapeachtree.com
Rusty Duncan - Sponsors
sponsor@mbcapeachtree.com

Events

events@mbcapeachtree.com

Rusty Duncan
Rubin Howard
Gary Edwards
Jim Fekete

For information or questions about the Peachtree Section, please contact us at 770-376-0669.



Order Name Tag

Membership Card

Dean Prince - Technical

technical@mbcapeachtree.com

Diana Quinn - Webmaster

webmaster@mbcapeachtree.com

Eastern Regional Director

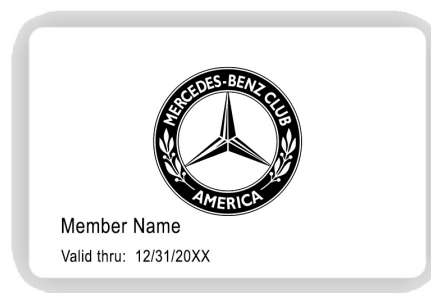
Diana Quinn

mbcadirectoreasternregion@gmail.com

National President

Doug Geganto

mbcaprez@gmail.com



Your MBCA Membership card is available on the MBCA National website. Here is how:

- Log into MBCA (www.mbca.org) with your username/password
- Click on **My Membership** from the menu on the left
- Click **Print Member Card**
- Print to your printer

***TIP:** Take a screen shot of your membership card and save to your photos in your phone*

S P O R T S
&
I M P O R T S
C O L L I S I O N I N C .

Guaranteed Satisfaction with Original Factory Parts and
Factory-Trained Technicians
Factory Recommended Celette Repair Benches

3400 McDaniel Rd
Duluth, GA 30096
770-623-6300

WE PROUDLY SUPPORT MERCEDES-BENZ
ORGANIZATIONS AND THEIR MEMBERS

**Mercedes-Benz Club of America Peachtree
Section | www.mbcpeachtree.com**

Peachtree Section - MBCA | 442 Chowning PL NW, Marietta, GA 30064

[Unsubscribe dianaquinn@me.com](mailto:dianaquinn@me.com)

[Constant Contact Data Notice](#)



Try email marketing for free today!

